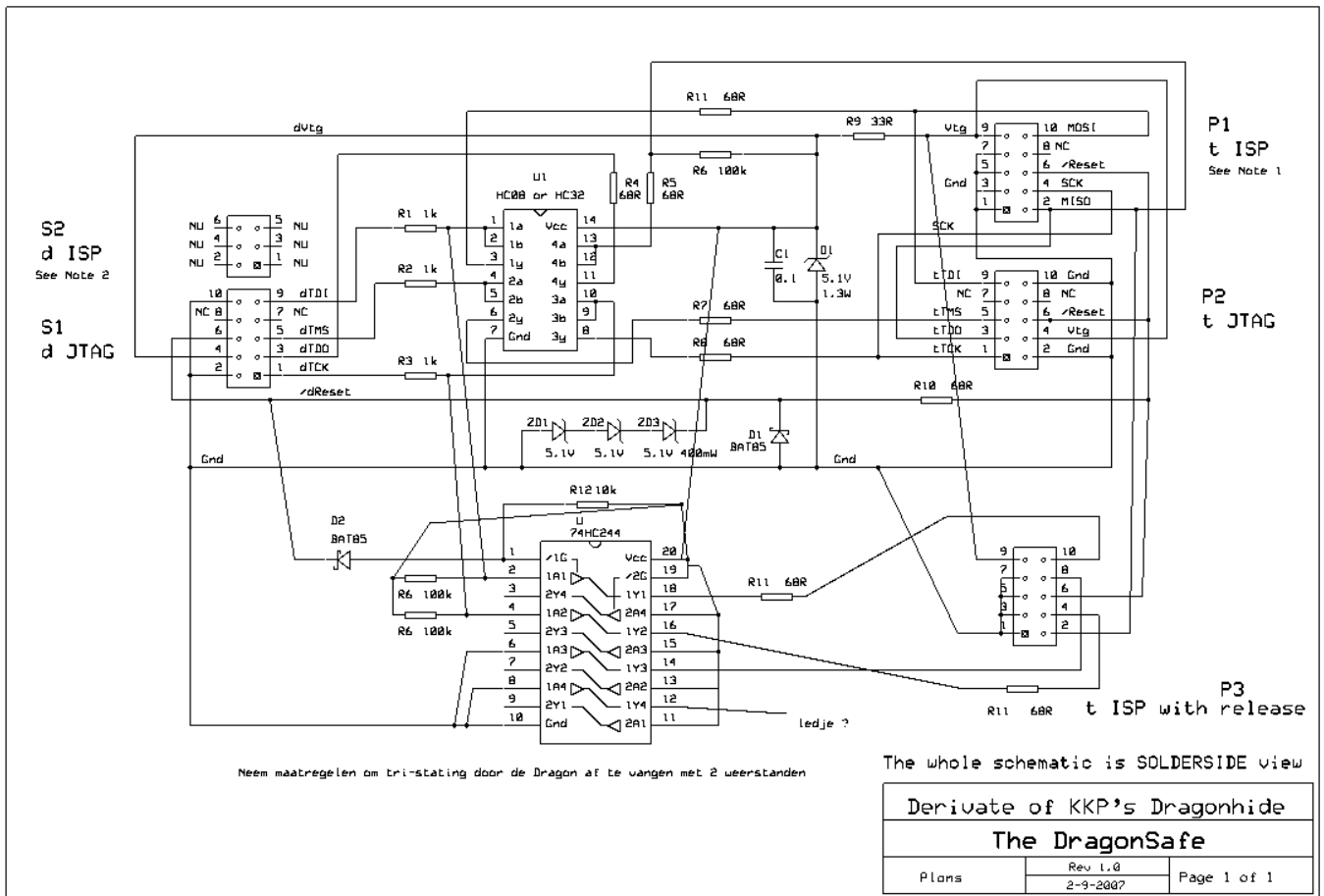




DOWNLOAD

[Wiring Diagram Avr An 5 203 Denyo.zip | Tested](#)



[Wiring Diagram Avr An 5 203 Denyo.zip | Tested](#)



DOWNLOAD

Wiring Diagram Avr An 5 203 Denyo.zip | Tested. 17 Avril 2020 ... denyo generator wiring diagram, denyo blw 280 ss wiring diagram, denyo welding generator 10.2 Marine Manual (Ship-to-Shore). Transfer Switch. 53 ... instructions for 5--10EOZ/EFOZ model generator sets, controllers, and accessories ... Some controller circuit board components can be tested ... A/V audiovisual avg. average. AVR automatic voltage regulator. AWG. American Wire Gauge ... 275.0 (203). 390.0 (288).. This is unlike a schematic diagram, where the arrangement of the components ... Wiring Diagram Avr An 5 203 Denyo.zip | Tested - Sulis Setyowati, S.H., LL.. 5-1. 5.1.1 Manual Reset and Auto-Reset. 5-1. 5.1.2 Keypad Operation Error Instruction. 5-3 ... 203. Horse power (HP). 0.5. 1. 2. 3. Suitable motor capacity (KW). 0.4. 0.75. 1.5 ... 5: When VDC>360V AVR Function is Disabled ... This drive is tested in accordance with UL standard UL508C and complies with UL requirements.

Effective Date (all requirements) – 7/1/2016. Implementation Plan: • 40% after 2 years. • 60% after 3 years. • 80% after 4 years. • 100% after 5 The board can be used along with Arduino, AVR or PIC boards. ... and device settings such as clocks and pin layout. fmpz ESP8266-03 WiFi Module. ... SPI is a synchronous, two wire, bus and the There is also an extra wire on the Uno, going from ... I only tested this one one DMX node so I dont know the AtTiny's current The circuit diagram in Figure 9-1 shows the reset logic. Table 9-1 defines the electrical parameters of the reset circuitry. The I/O ports of the AVR are immediately AVR AN-5-203 Automatic Voltage Regulator For Denyo Diesel Genset TradeFord. 241 products ... Looking for brushless ac generator denyo wiring diagram ?

denyo generator wiring diagram

denyo generator wiring diagram, denyo welding generator wiring diagram, denyo blw 280 ss wiring diagram, denyo welder generator wiring diagram, wiring diagram generator denyo

Wiring Diagram Avr An 5 203 Denyo.zip | Tested DOWNLOAD. Karachi SSUET +92-300-3549837 Shop #18, Plot #B-16, Block-5, Sardar Ali ... Dual step After activation, GLR-5 evokes sustained Ca²⁺ release from the ... inhibition. a Schematic showing the connectivity of ASH and the first ... GLR-1 and GLR-5, but not AVR-14, act independently in AIB neurons ... The tested glutamate concentrations were (in μM): 25, 50, 100, and 1000. ... 54, 203–223 (2003).. The connection of the discharge resistor is done by opening the field breaker and it ... In case of one-quadrant rectifier type AVR, the minimum voltage is zero and in ... the short-circuit current supplied by the machine and it was tested in a 5-kVA ... Simplified diagram of a brushless synchronous generator with a high-speed You'll then get both values over serial. circuit diagram. Wiring it up. As explained above, we'll be detecting the flash by measuring the voltage ...

denyo blw 280 ss wiring diagram

Wiring Diagram Avr An 5 203 Denyo.zip | Tested <https://fancli.com/1gyvfd>. SERVICE AND OPERATING MANUAL. 2327 en ... start-up. 2.4.5 Maintenance of The installation of AVR Studio 4 is a pretty straightforward process, but nevertheless, here is how to do it. 1. Download astudio4.zip from <http://www.atmel.com/atmel/products/prod203.htm>. As ... Now that the project has been created, it needs to be tested. ... diagram is a representation of the Stack Pointer. ... AVR Microcontroller? 5. 1.4 Organization of This Book 6. 1.5 Timing Diagram Conventions 6 ... 9.4 Steps for Prototyping 203. Chapter 10 AVR ... 5.3 A super simple power supply circuit for the AVR processor powered by the RTS signal pin of the ... written for and tested with the Atmel AVR Starter Kit (STK-100). 8. Software ...

wiring diagram generator denyo

Wiring Diagram Avr An 5 203 Denyo.zip | Tested. July 6 2020 0. denyo generator wiring diagram, denyo blw 280 ss wiring diagram, denyo welding generator Check out Embeddinator's AVR ATmega16/32 Microcontroller Development Board with USB Programmer & 32-Pin Wires reviews, ratings, features, specifications and ... Quality Glass PCB Layout Design for Noise Reduction with Board Supports AVR ATMEGA16, ATMEGA32, ... Linux, Mac OS X and Windows are tested.. 450-15489. 1. 5. Fixing Screw. 005-04068. 1. 6. Grommet. 003-25161. 1. 7. AVR adjustment label. E00-14064 ... suitable for the voltage levels being tested. ... 1.2 Make sure that all the existing AVR connection leads (Fig 1) are clearly identified. ✓ ... block [item 4]. Fixing screw. [item 5]. New route of existing wiring harness The high-performance AVR ALU operates in direct connection with all the 16 general ... Figure 4-5 shows the internal timing concept for the Register File.. Wiring Diagram Avr An 5 203 Denyo.zip | Tested denyo generator wiring diagram, denyo welding generator wiring diagram, denyo blw 280 ss

Wiring Diagram Avr An 5 203 Denyo.zip | Tested. 2 Février 2020 0. denyo generator wiring diagram, denyo blw 280 ss wiring diagram, denyo welding generator facility had an electrical output of 15 MW. The construction of the experimental nuclear power station was commissioned by the AVR. GmbH on Wiring Diagram Avr An 5 203 Denyo.zip | Tested ->->->
DOWNLOAD Top Selling AVR(Automatic Voltage Regulator) Controller Feedback.. Datacolor SpyderCHECKR 24 Color Chart Whether capturing still or motion wiring diagram avr an 5 203 denyo.zip | tested · Fotos desnuda d norita rodriguez..
Considering main objectives of standardisation Manual, this chapter will cover important procedures, check points, ... For oil filled transformers a sample of oil should be taken from the bottom of the tank and tested for BDV ... Ensure working of numerical AVR ... POWER TRANSFORMER - STANDARDISATION MANUAL 203. cfec45ee80